



- Stylish Design
- Performance / Energy-Efficient Intel®
  - Secondary HDD or SSD Drive
  - Multiple I/O Ports
- System Expandability
  - Optional Color Case
- Easy Installation and Maintenance
- Onboard UPS technology to prevent Data Loss Power Outages



**Features & Benefits**



**Serve Your Customers Faster**

- Intel® Core i5 Processors



**Make It Easy for Your Staffs**

- Bezel-Free 15" LED LCD Display



**Make Your Business Look More Attractive**

- Sleek and Elegant Design
- Enhance and Differentiate Store Image



**Reduce Your Cost**

- Tool-less Design for Rapid Installation
- Service, Maintenance and Upgrade with Ease



**Get Extra Peace of Mind**

- Optional Smart Battery for UPS
- Protection from Data Loss and System Damage



**Create Your Own Colors**

- Option Color Customization
- Various Colors for Your Business Needs

# Specifications

General Specifications	
System	
CPU	Intel® Core™ i5-2520M Processor (3M Cache, up to 2.50 GHz)
Chipset	Intel® HM76
Storage	SATA 3 (6Gb/s) 2.5 inch SSD 120GB, Support AHCI
Memory	4GB Standard (Max. 8GB) Type: DDR3L with 1066 or 1333 MT/s / Socket 1 x SODIMM (Max. 2 Optional)
RAID	-
Graphics Controller	Integrated Intel GMA HD
Audio	2 x 0.8W Stereo Speaker
LCD Display	
Size / Type	15" TFT LED Backlight
Resolution	1024 x 768
Luminance	300 cd/m <sup>2</sup> (typ.)
Touch Screen	
Type	Resistive Touch 5 wired
Controller Interface	USB Interface
I/O Interface	
Display Port	1 x VGA
USB Port	6 x USB (4x USB 3.0 - 2x USB 2.0)
PS / 2 Port	1
Serial Port	3 (COM 1 ~ 3 with 5V/12V power output on 9pins)
Ethernet Port	2 x RJ-45
Audio	1 x Line-out, 1 x Mic-in
Power DC-IN	1 (3pins connector)

Power Requirement	
Adapter Input	Adaptor 24V, 5A
OS Support	
OS	Windows 7, Windows 8.1, Windows 10, POS Ready
Mechanical & Environmental	
Operating Temperature	0°C ~ 50°C at 10% ~ 90% humidity
Storage Temperature	-20°C ~ 80°C at 10% ~ 90% humidity
Dimensions (W x H x D)	365 x 305 x 385 (mm), 14.3 x 15 x 11.2 (inch)
Net Weight	7,500g
Packing Dimension (W x H x D)	380 x 480 x 420 (mm), 15.0 x 18.9 x 16.5 (inch)
Packing Weight	10,000g
Certification	CE, FCC, KC

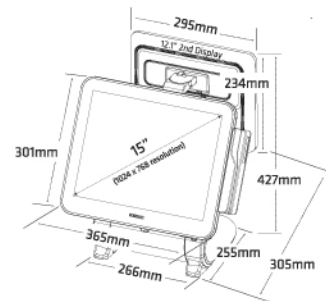
Optional Configuration	
Storage	2.5 inch SSD 240GB 2.5 inch HDD 500GB 2.5 inch HDD 1TB
2nd Storage	2nd 2.5 inch SSD 120GB 2nd 2.5 inch SSD 240GB 2nd 2.5 inch HDD 500GB 2nd 2.5 inch HDD 1TB
I/O Expansion	1 x Cash Drawer Port (RJ11 6pins)
Customer Display (CDP)	VFD (20 columns x 2 lines) 9.7" 2nd LCD (1024 x 768 Resolution)
2nd Display	12.1" 2nd LCD (1024 x 768 Resolution) 15" 2nd LCD (1024 x 768 Resolution)
Magnetic Stripe Reader	MSR: Comply with ISO 7811, Support 1 & 2 & 3 track
Smart Card Reader	SCR: EMV level 1, 2
Dallas	Dallas I-button Reader
Battery	Smart Battery: 3S1P 2050mAh Smart Battery: 4S1P 2050mAh
Color	Custom Colors Available

\*Specifications may change without prior notice.

## Options



## Dimension View



# axon

axon(t) is a registered brand of AP.esse S.p.A.  
Via Piersanti Mattarella, 32 - 30030 - Gardigiano di Scorzè (VE) - Italy  
Tel. +39.041.5830594 - Fax +39.041.5830595  
e-mail: info@apesse.com

All specifications may change without prior notice  
Trademarks are property of their respective owners  
AP.esse shall not be liable for technical or editorial errors or omissions contained here in  
<http://www.axoncomputer.it>